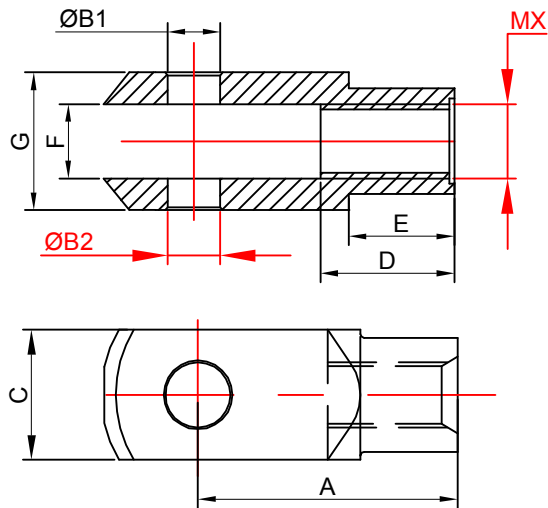


SPRINFORS

Вилка
(оцинкованная сталь)



Ref. No	Размеры (мм)								
	A	ØB1 ^{+0.1}	ØB2 ^{+0.1}	C	D	E	F	G	MX
2202	32	8.1	8.1	16	16	12	8	16	M8x1.25
2203	40	11.9	11.9	20	20	15	10.5	20	M10x1.5
2204	20	5.1	5.1	10	10.5	7	5	10	M6x1
2207	20	5.1	5.1	10	10	7.5	5	10	M5x0.8
2208	32	9.1	9.1	16	16	12	8	16	M8x1.25
2209	37	8.1	8.1	20	18	12	10.5	20	M10x1.5
2213	24	8.1	8.1	16	8	4	8	16	M8x1.25
2214	40	10.1	10.1	20	20	15	10	20	M10x1.5
2217	25	10.1	10.1	16	16	12	8	16	M8x1.25
2220	25	8.1	8.1	14	13	9	7	14	M6x1
2221	20	6.1	M6x1	10	10.5	7	5	10	M6x1
2222	20	6.1	6.1	10	10.5	7	5	10	M6x1
2224	43	8.1	M8x1.25	16	20	15	8	16	M8x1.25
2225	27	12	12	20	8	3	10	20	M10x1
2226	40	8.1	8.1	20	20	15	10	20	M10x1
2227	32	8.1	8.1	16	16	12	8	16	M6x1
2229	16	4.1	4.1	8	8	5.5	3.3	8	M4x0.7
2230	24	6.1	6.1	12	12	9	6.2	12	M6x1
2233	16	2.4	2.4	8	8	5.5	3.3	8	M4x0.7

(Standard application)